

# MSE TYPE-2 STERILIZATION PROCEDURE

1

## MANUAL CLEANING METHOD

### A. Prepare to Clean

- > Prepare a cleaning solution by mixing an enzymatic manual cleaner (<55°C), or similar cleaning solution with tap water using the recommended concentration (4ml/l), following manufacturer's instructions.
- > Prepare this solution in a container large enough to fully submerge the device.

### B. Soak & Scrub

- > Soak the device in the container of prepared detergent solution for a minimum of **5** minutes.
- > Scrub the device for a minimum of **15** seconds with a soft nylon-bristled brush and/or pipe brush. Scrub the device below water line to ensure contact with enzymatic cleaner. Articulate moving parts of the device to ensure all surfaces are scrubbed.

### C. Rinse

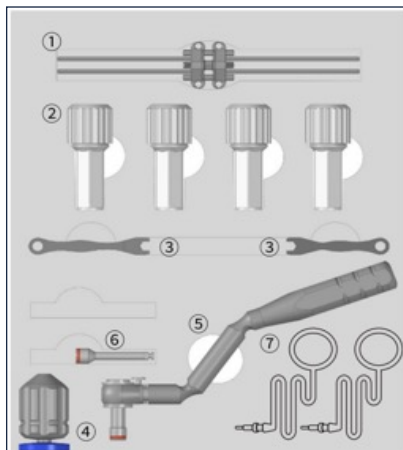
- > Remove the device from the enzymatic solution and thoroughly rinse under flowing tap (utility) water for a minimum of **1** minute.
- > Allow the device to dry.
- > After rinsing, inspect the device for visible soil residue. If present, repeat this procedure until no visible soil remains.

2

## AUTOClave METHOD • GRAVITY MOIST HEAT STERILIZATION

### A. Clean

- > Place each device in appropriately sized sterilization pouches.
- > Place all packaged devices into the sterilizer and set for **15** minutes at 121°C.
- > Allow devices to dry for **30** minutes.



### Component Key:

1. MSE Expander • Single patient use only
2. Micro Implants • Pre-sterilized by gamma ray irradiation\*\*
3. Activation Keys • Single patient use only
4. Mini Hand Driver • Reusable
5. Ratchet Wrench Driver • Reusable
6. Short Engine Blade • Reusable
7. Safety Leashes • Single patient use only

**\*\*Caution:** All micro implants have been pre-sterilized by the manufacturer. No additional sterilization is required.

SMP1163Rev081021